



ROUND TYPE LED INDICATOR



FEATURES

■Wide variety for different uses

A broad range of models from 10 to 30 mm in diameter are available. The brightness equivalent to that of an incandescent lamp has been achieved through our original technological efforts.

■Compatible with different types of power sources

These indicators comply with requirements of various power sources which allows connections without decreasing voltage from the control power supply for each facility.

SPECIFICATIONS (RATINGS, PERFORMANCE)

Specification \ Type	TMP	TSP	M22	M25	HXL	JXL	PXL
Rated insulation voltage (UI)	250V AC / DC						
Mounting hole size	$\phi 10.1^{+0.2}$	$\phi 16.2^{+0.2}$	$\phi 22.3^{+0.4}$	$\phi 25.5^{+0.5}$	$\phi 22.3^{+0.4}$	$\phi 25.5^{+0.5}$	$\phi 30.5^{+0.5}$
Screw size	Faston tab #110	M3×6	Faston tab #187 0.5 to 2.27mm ²	Faston tab #187 0.5 to 2.27mm ²	M3.5×8	M3.5×8	M3.5×8
Rated current	8mA	12mA	18mA	18mA	11mA	11mA	11mA
Lightning impulse	± 4,500V ----- ± 7,000V 3 times for each pole (1.2 / 50 μs) (Whole live part to mounting panel)						
Recognition distance	10m (1,000 Lx in illuminance on applicable panel)						
Power-frequency withstand voltage	2,000V AC		----- 2,500V AC ----- 1 minute				
Operating temperature	-20 to 55°C	-25 to 55°C	-20 to 40°C				
Storing temperature	-25 to 75°C	-40 to 75°C	-30 to 85°C		-25 to 65°C		
Altitude	2,000m max.						

PILOT LAMP & INDICATOR

PRODUCT CODING

[TMPN type] **TMPN-024-RB (S)**

Basic type				Lens color				Frame color (B only)		Lens type	
Supply voltage		Supply voltage		Code	Color	Code	Color	Code	Color	Code	Type
Code	Voltage	Code	Voltage	R	Red	O	Orange	B	N1.5	(S)	Round type
005	5V AC / DC	048	48V AC / DC	G	Green	W	Milk white			(E)	Round flat type
012	12V AC / DC	063	63.5V AC / DC								
024	24V AC / DC	110	100 / 110V AC / DC								

High-brightness type

[TMPH type] **TMPH-024-RB (S)**

Basic type				Lens color				Frame color (B only)		Lens type	
Supply voltage		Supply voltage		Code	Color	Code	Color	Code	Color	Code	Type
Code	Voltage	Code	Voltage	R	Red	W	Milk white	B	N1.5	(S)	Round type
005	5V AC / DC	048	48V AC / DC	+G	Green	O	Orange			(E)	Round flat type
012	12V AC / DC	063	63.5V AC / DC	+BL	Blue						
024	24V AC / DC	110	100 / 110V AC / DC								

* No 5V versions are available in G (green) and BL (blue).

[TSPN type] **TSPN-DC024 RB (E)**

Basic type				Lens color				Frame color		Lens type	
Supply voltage		Supply voltage		Code	Color	Code	Color	Code	Color	Code	Type
Code	Voltage	Code	Voltage	R	Red	O	Orange	B	N1.5	(S)	Round type
DC024	24V DC	AC048	48V AC	G	Green	W	Milk white			(E)	Round flat type
DC110	100 / 110V DC	AC063	63.5V AC	Y	Yellow	C	Clear				
DC125	125V DC	AC110	100 / 110V AC								
AC024	24V AC	AC220	200 / 220V AC								

High-brightness type

[TSPH type] **TSPH-DC024 RB (S)**

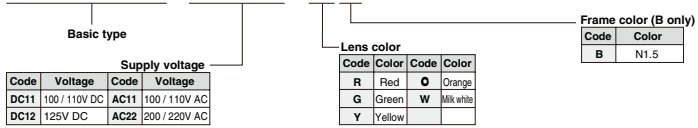
Basic type				Lens color				Frame color		Lens type	
Supply voltage		Supply voltage		Code	Color	Code	Color	Code	Color	Code	Type
Code	Voltage	Code	Voltage	R	Red	W	Milk white	B	N1.5	(S)	Round type
DC024	24V DC	AC048	48V AC	G	Green	C	Clear			(E)	Round flat type
DC110	100 / 110V DC	AC063	63.5V AC	Y	Yellow	BL	Blue				
DC125	125V DC	AC110	100 / 110V AC	O	Orange						
AC024	24V AC	AC220	200 / 220V AC								



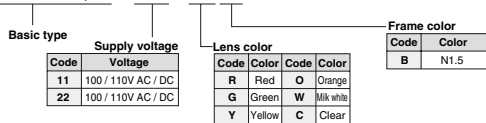
ROUND TYPE LED INDICATOR

PRODUCT CODING

[M22 type] M22KQ4-AC11-RB

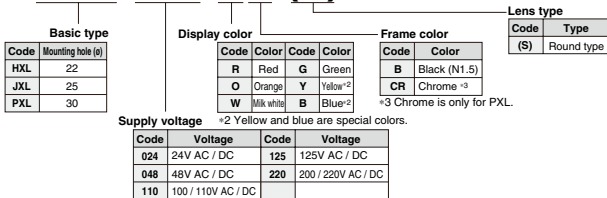


[M25 type] M25KQ4-11 RB



[HXL · JXL · PXL type]

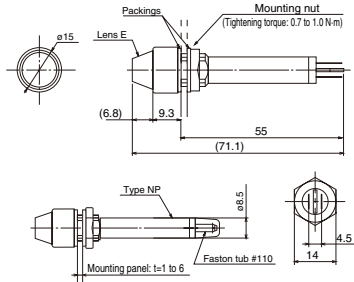
HXL-110-RB (S)



PILOT LAMP & INDICATOR

STANDARD PRODUCTS

TMPN (ø10)



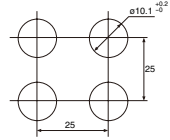
● Applicable accessories

LED lamp **TMP-LEDN-□**

Lens **TMP Lens E-□**
(Round flat type)
WMP Lens S-□
(Round type)

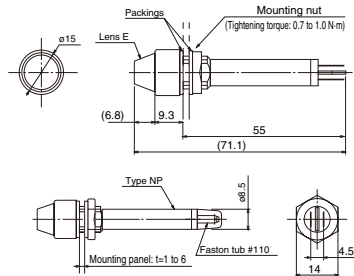
Tightening tool **TMP-Q**

● Mounting hole size



TMPH (ø10)

High-brightness type



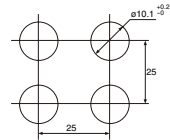
● Applicable accessories

LED lamp **TMP-LEDH-□**

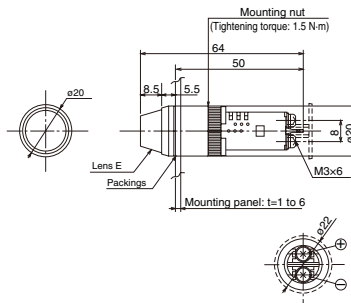
Lens **TMP Lens E-□**
(Round flat type)
WMP Lens S-□
(Round type)

Tightening tool **TMP-Q**

● Mounting hole size



TSPN (ø16)



● Applicable accessories

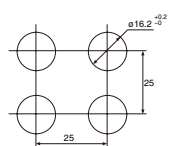
LED lamp **TS-LEDN-□**

Lens **TS-Lens E-□**
(Round flat type)
WS-Lens S-□
(Round type)

Tightening tool **Tightening jig F**

Protective cover **TS-CV**

● Mounting hole size



● LED TYPE

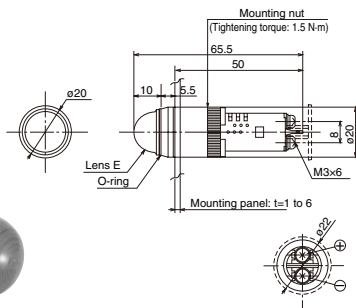


ROUND TYPE LED INDICATOR

STANDARD PRODUCTS

TSPH (φ16)

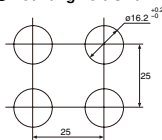
High-brightness type



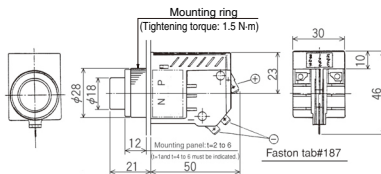
● Applicable accessories

LED lamp	TS-LEDH-□
Lens	TS-Lens E-□ (Round flat type) WS-Lens S-□ (Round type)
Tightening tool	Tightening jig F
Protective cover	TS-CV

● Mounting hole size



M22 (φ22)

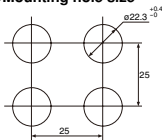


● Applicable accessories

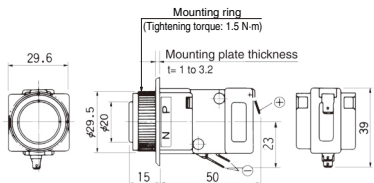
LED lamp	TS-LED4-□
Lens	M22 Lens □

* When replacing the lens, pay attention to the lens direction.

● Mounting hole size



M25 (φ25)

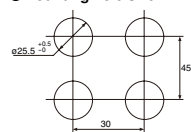


● Applicable accessories

LED lamp	TS-LED4-□
Lens	M25 Lens □

* When replacing the lens, pay attention to the lens direction.

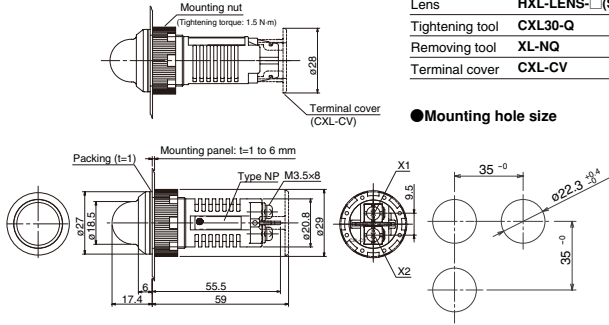
● Mounting hole size



PILOT LAMP & INDICATOR

STANDARD PRODUCTS

HXL (ø22)

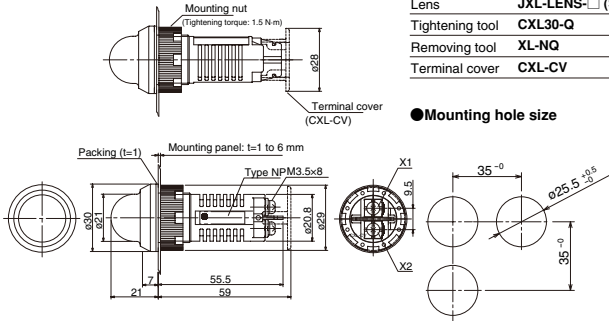


●Applicable accessories

LED lamp	HXL-LED □ □
Lens	HXL-LENS □ (S)
Tightening tool	CXL30-Q
Removing tool	XL-NQ
Terminal cover	CXL-CV

●Mounting hole size

JXL (ø25)

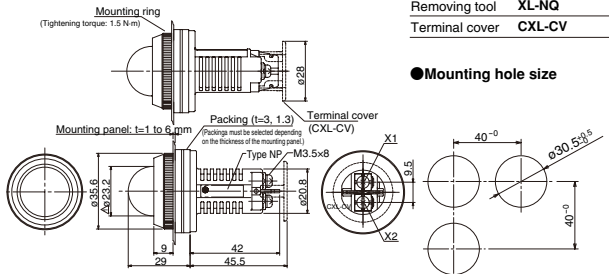


●Applicable accessories

LED lamp	PXL-LED □ □
Lens	JXL-LENS □ (S)
Tightening tool	CXL30-Q
Removing tool	XL-NQ
Terminal cover	CXL-CV

●Mounting hole size

PXL (ø30)



●Applicable accessories

LED lamp	PXL-LED □ □
Lens	PXL-LENS □ (S)
Removing tool	XL-NQ
Terminal cover	CXL-CV

●Mounting hole size